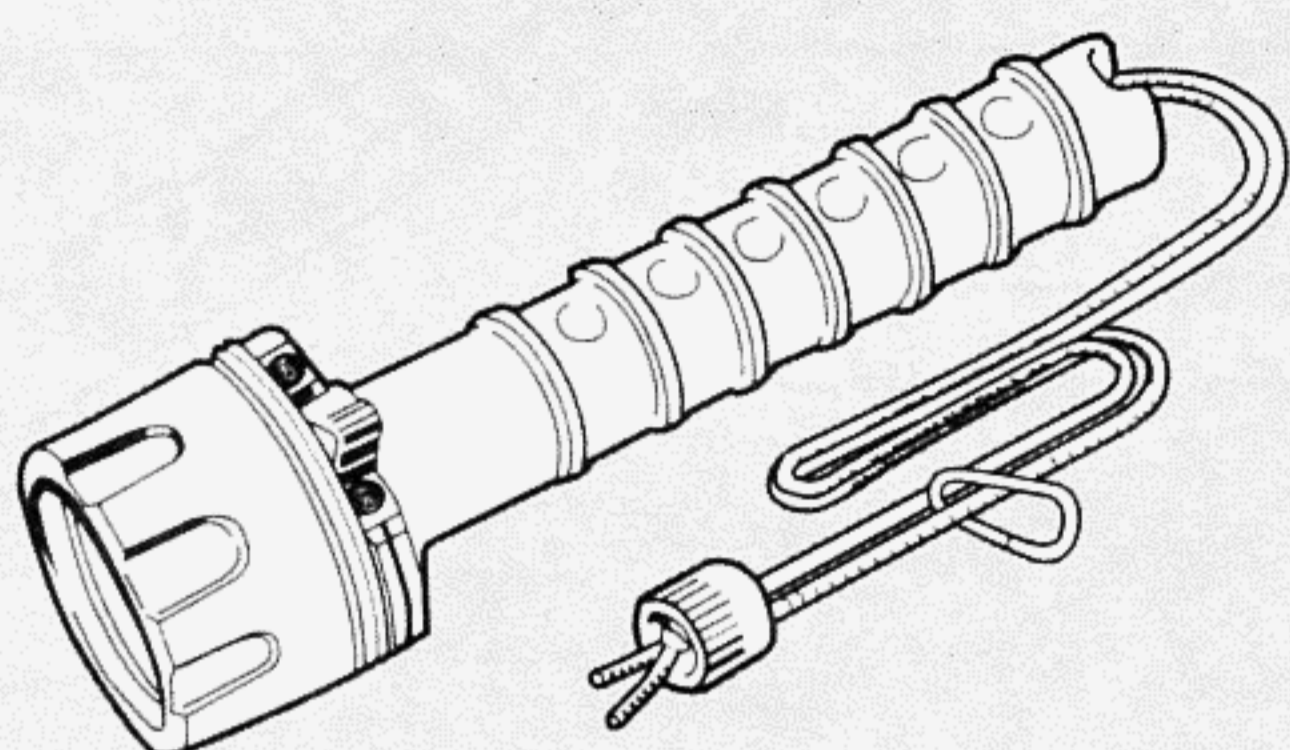


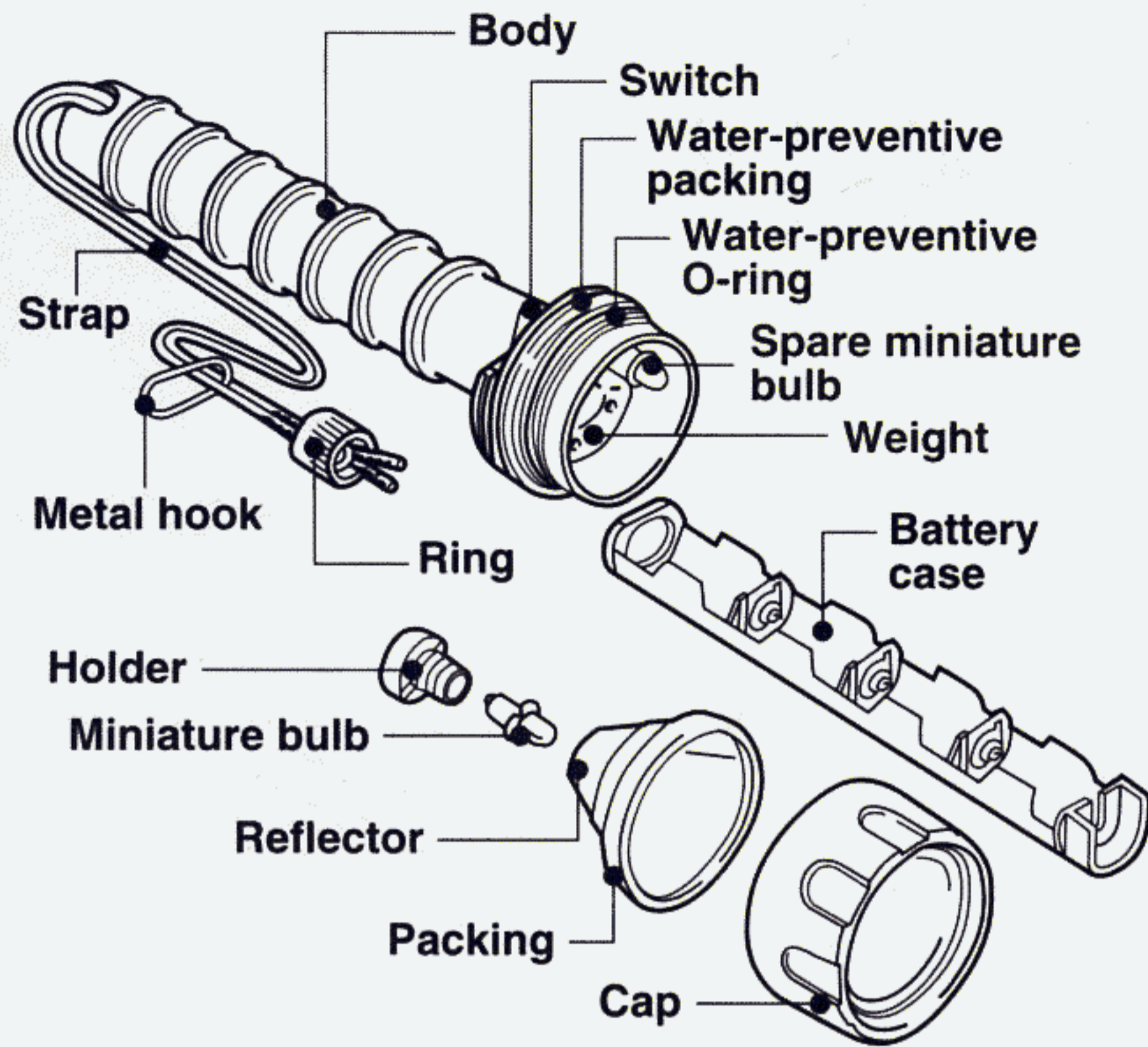
TOSHIBA UNDERWATER LIGHT**BK-145**

- In order to gain the maximum from your underwater light, please take the time to read through this manual before use. Keep it for future reference.

SPECIFICATIONS

Dry Batteries	TOSHIBA "ALKALINE" (LR20) or TOSHIBA "SUPER HEAVY DUTY" (R20U) "D" size batteries × 4
Miniature bulb	TOSHIBA Xenon miniature bulb PR-4.8V4WXE (4.8V 4W)
Continuous operating time (at 20°C)	Approx. 8 hours (Using TOSHIBA "ALKALINE" LR20)
	Approx. 2.5 hours (Using TOSHIBA "SUPER HEAVY DUTY" R20U)
Water pressure resistance	5kg/cm ² (Approx. 50m water depth)
Main Material	ABS resin

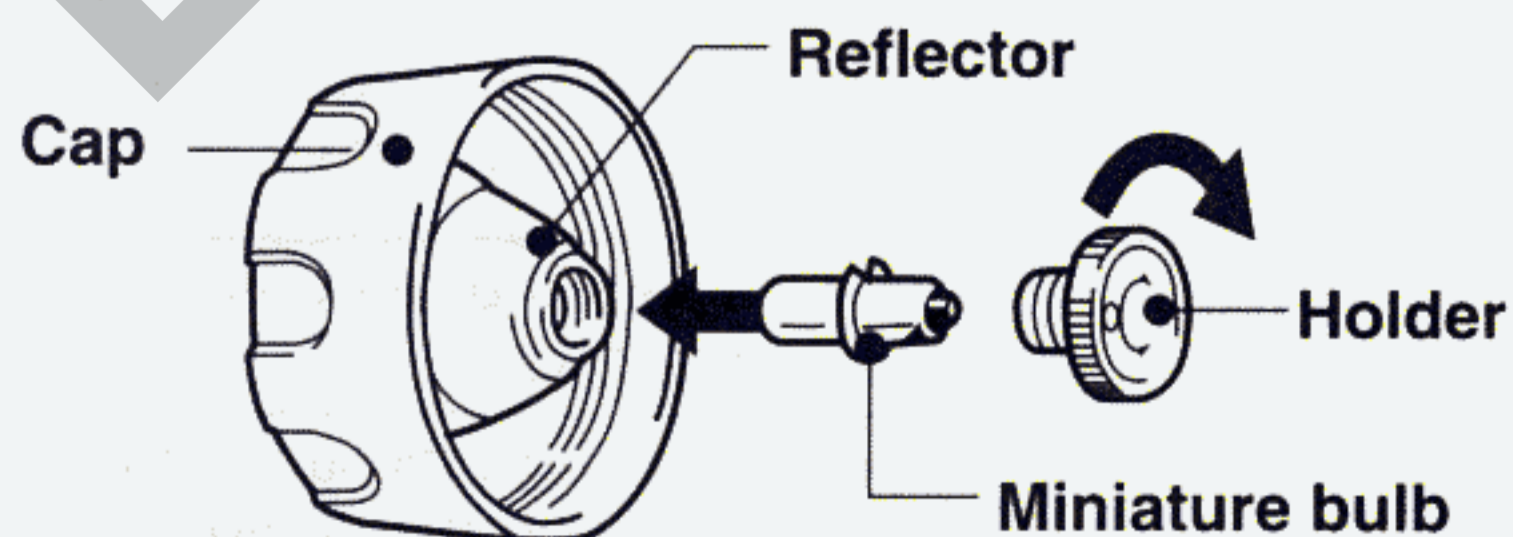
NAME OF THE PARTS



Accessories	Spare miniature bulb (PR-4.8V4WXE) 1
	Strap 1
	Metal hook 1

REPLACING THE MINIATURE BULB

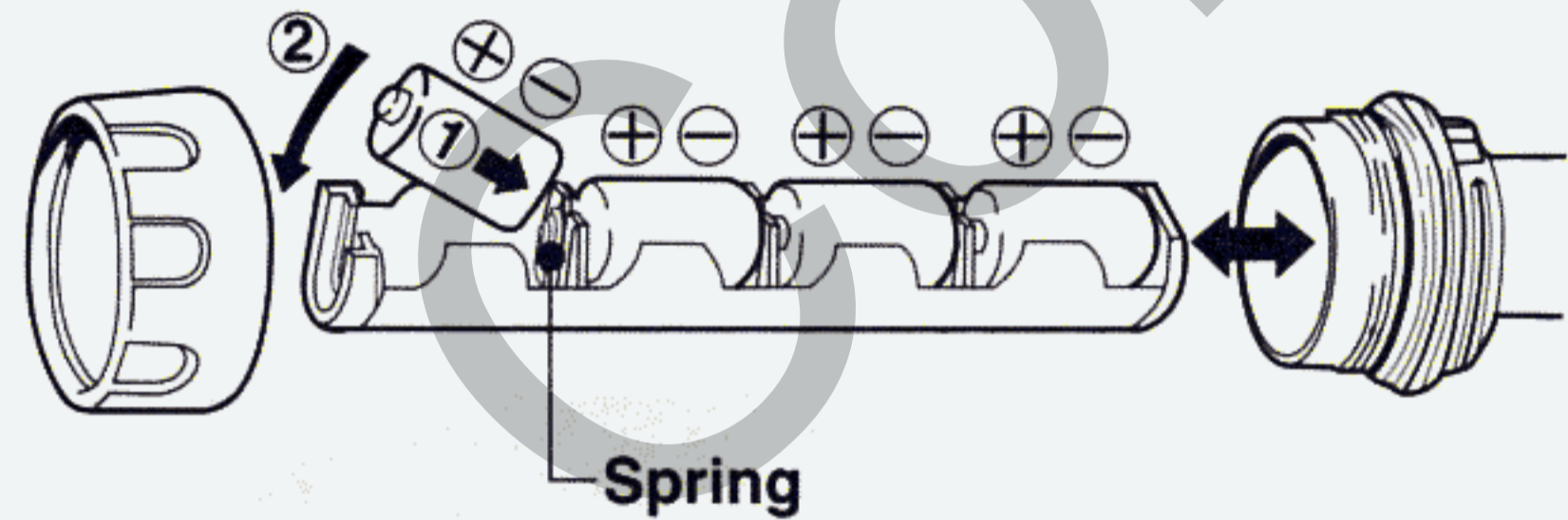
- Rotate the cap counterclockwise to remove it.
- Rotate the holder in the "OPEN" direction, remove it from the reflector and then replace the old bulb with the spare.
- Replace the holder and tighten up the cap.
- When you need a further replacement bulb, ask the store where you bought the light for the TOSHIBA PR-4.8V4WXE (4.8V 4W) xenon miniature bulb.



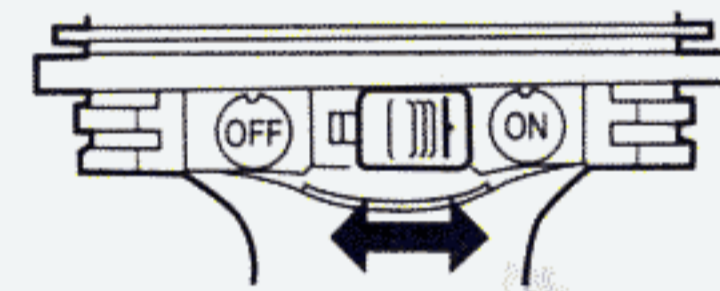
OPERATION

- Remove the cap by rotating it counterclockwise, load four LR20 or R20U, "D" size batteries into the battery case, as shown in the figure, and then replace and tighten up the cap.

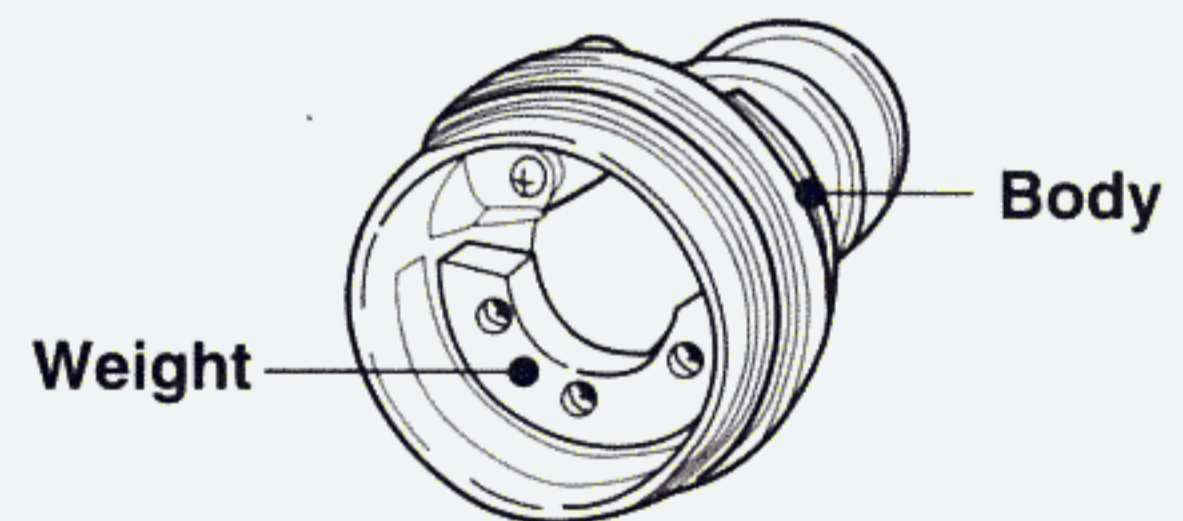
- Insert batteries while pushing the (—) side spring.
- Batteries and the battery case must be installed correctly, otherwise the light will not turn on.



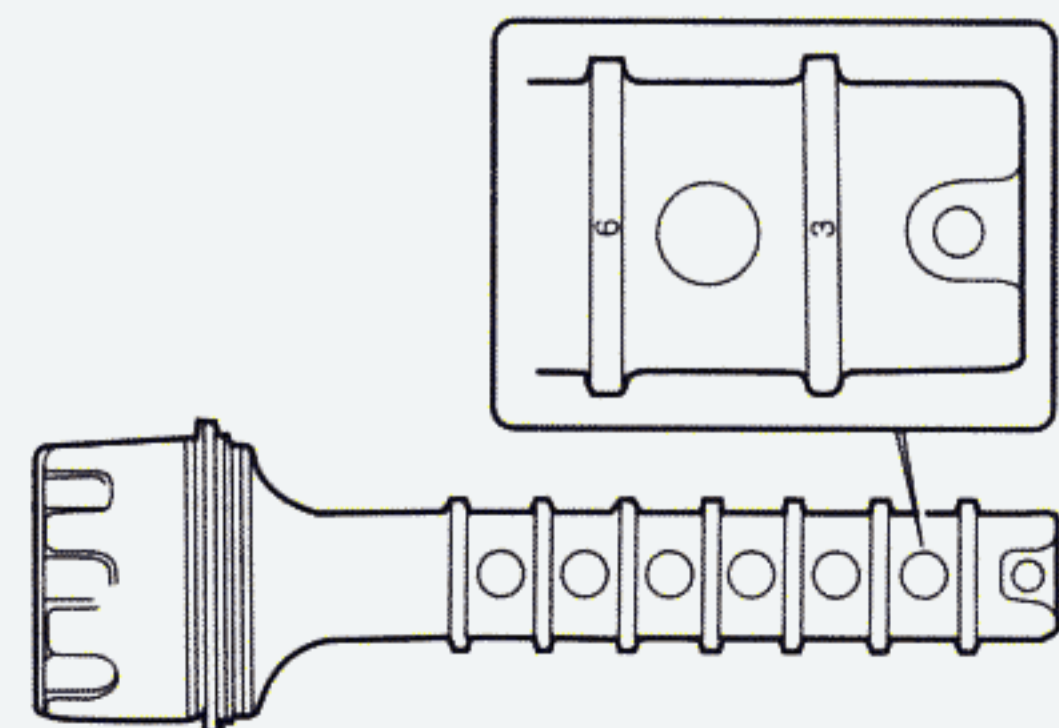
- The light turns on by sliding the switch in the direction of "ON".



- A weight is provided to stop the light from being buoyant.

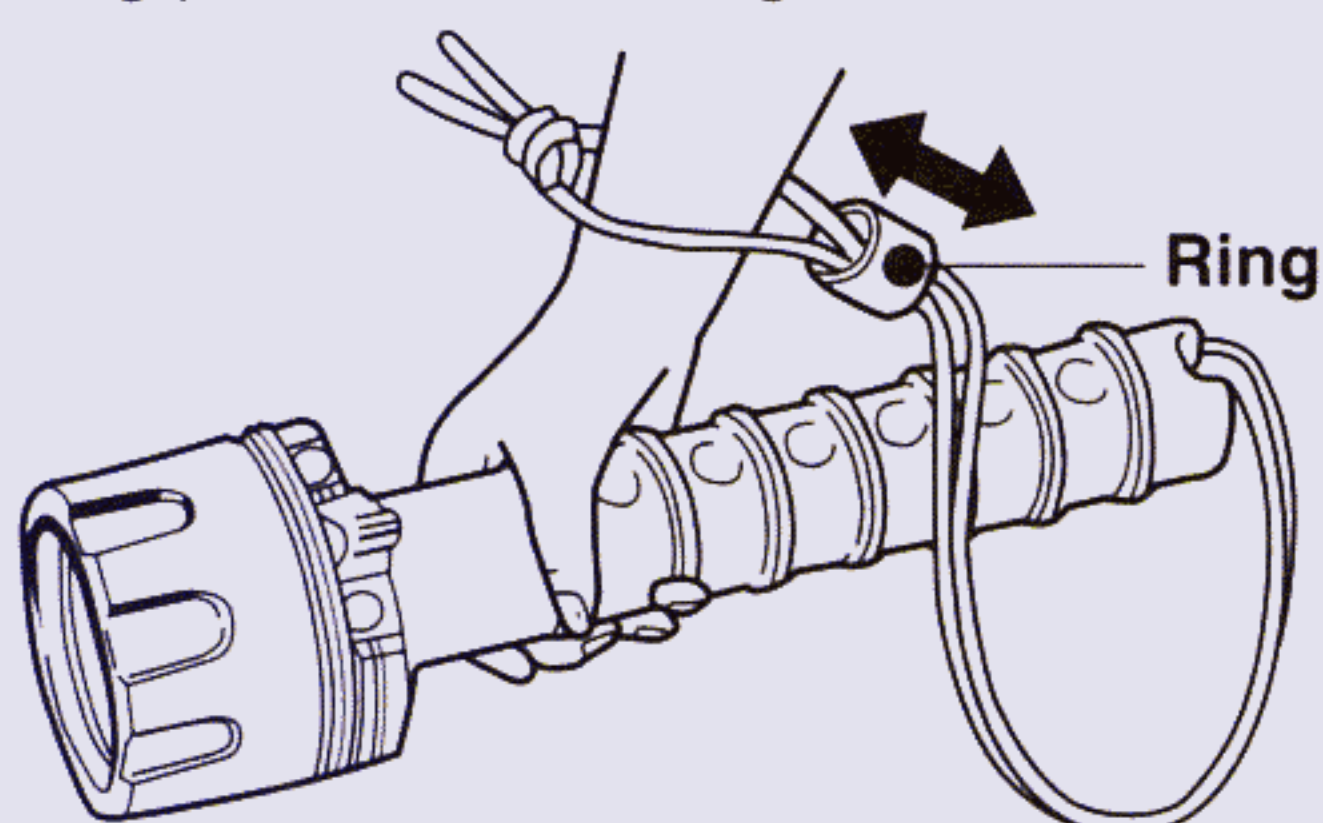


- Numbers are marked on the body. Use these as a guideline for dimension in the water.

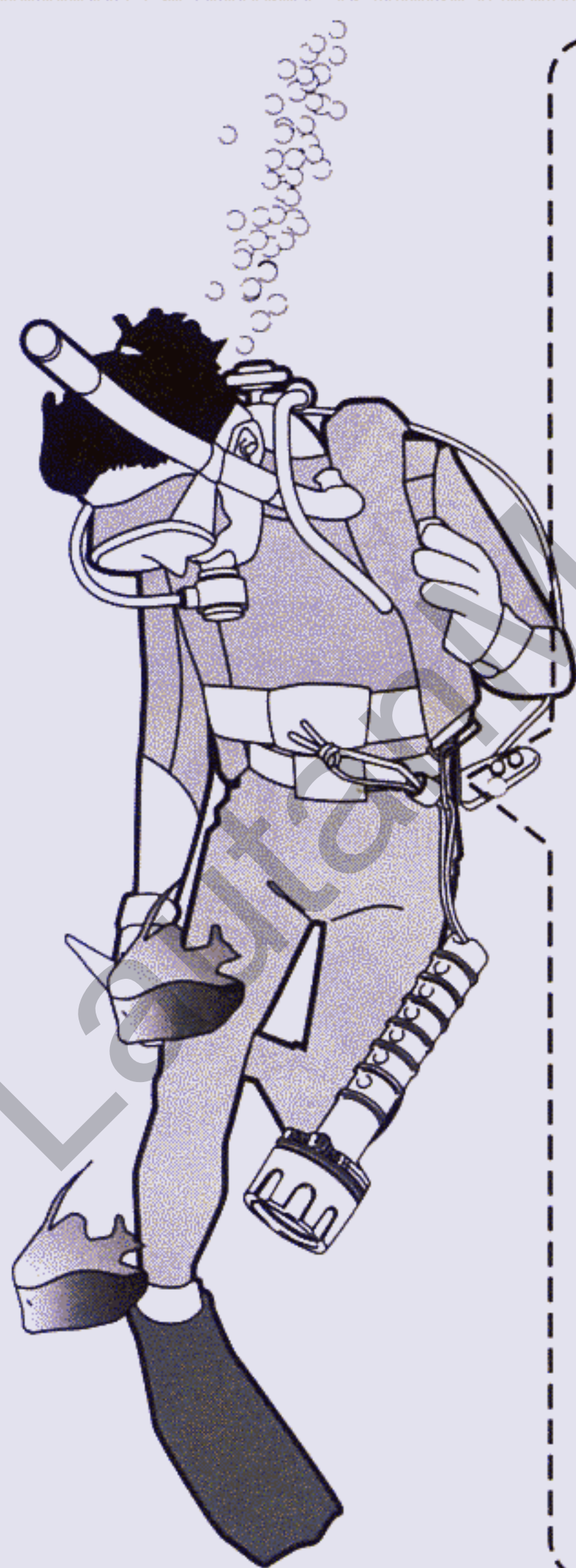


USING THE STRAP

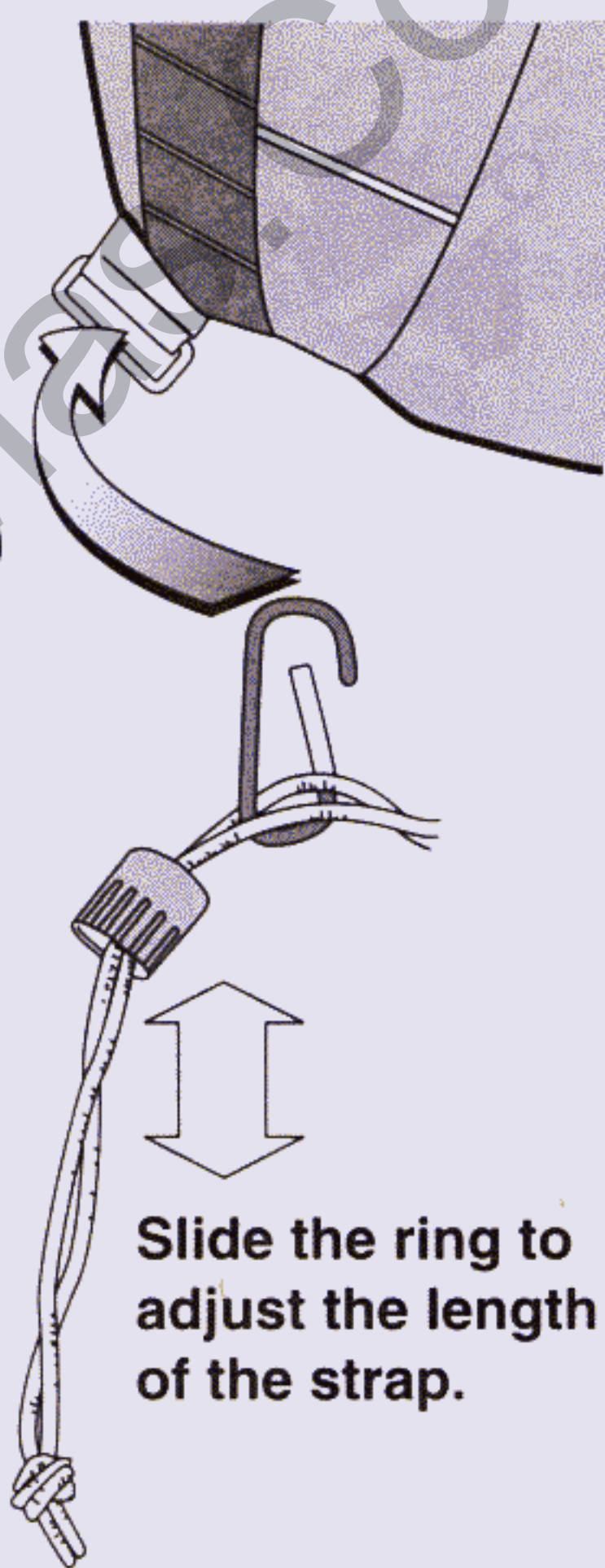
- When using the strap, tighten the strap by adjusting position of the ring as illustrated.



HOW TO USE THE METAL HOOK



Hang the Metal hook on the jacket.



CAUTION

Do not use the metal hook to hang any heavy items other than an underwater light or use it for mountain climbing or life saving purposes.

Any use other than for which it was intended may cause damage to the hook, resulting in injury.

PLEASE NOTE

After each use, wash the metal hook with fresh water, dry completely and store away in order to prevent the metal hook from rusting.

CAUTION

- Please observe the following carefully, otherwise a considerable volume of gas may be generated in batteries, in some cases causing batteries, in some cases causing the appliance to explode with a loud noise.
 - (1) Batteries shall be inserted in the appliance with the (+) and (–) terminals correctly placed.
 - (2) Do not use new and old batteries or different types of batteries together.
 - (3) Be certain to turn off the switch after use.
 - (4) Take used-up batteries out of the appliances.
 - (5) Do not use rechargeable batteries.
- The water preventive O-ring shall be kept lubricated at all times with water preventive silicone grease.
- Only Toshiba SG-20 silicone grease for underwater lights is available on request, and shall be used for coating the water preventive O-ring.
- Please observe the following carefully, otherwise accidents may occur, caused by unexpected extinguishing of lights etc. due to water invasion.
 - (1) The water preventive O-ring shall not be contaminated with dust or scratched.
 - (2) Do not use the appliance in greater water depth than designated.
 - (3) Replace all batteries with new ones when using underwater.
 - (4) The xenon miniature bulb life is approx. 30 hours. Replace the miniature bulb with new one before its aggregate operating hours of 30 hours.
 - (5) Be certain to carry another spare light with you.
 - (6) Tighten the cap with body firmly. (Tighten until it will go no further.)
 - (7) Do not disassemble or remodel.
- Periodically inspect for lighting, water leakage or battery-leakage.
- Do not continually focus lights on the eye. This will result in eye trouble.