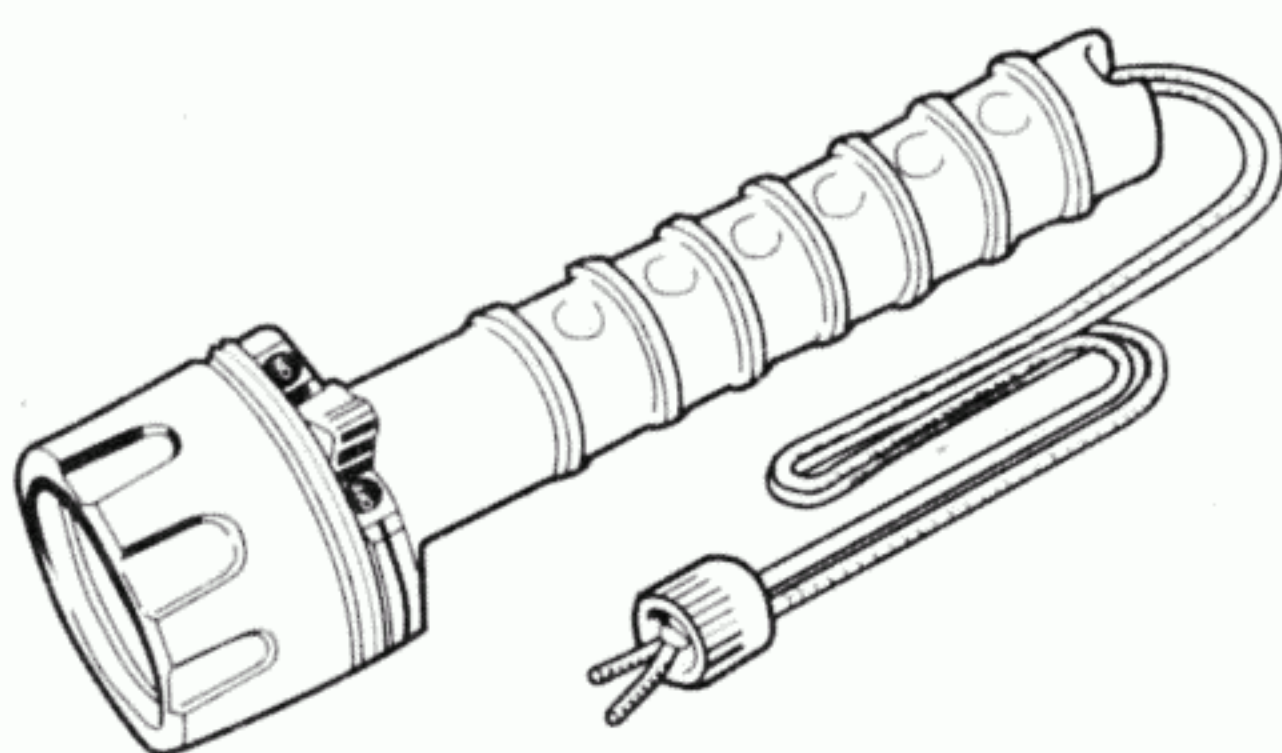


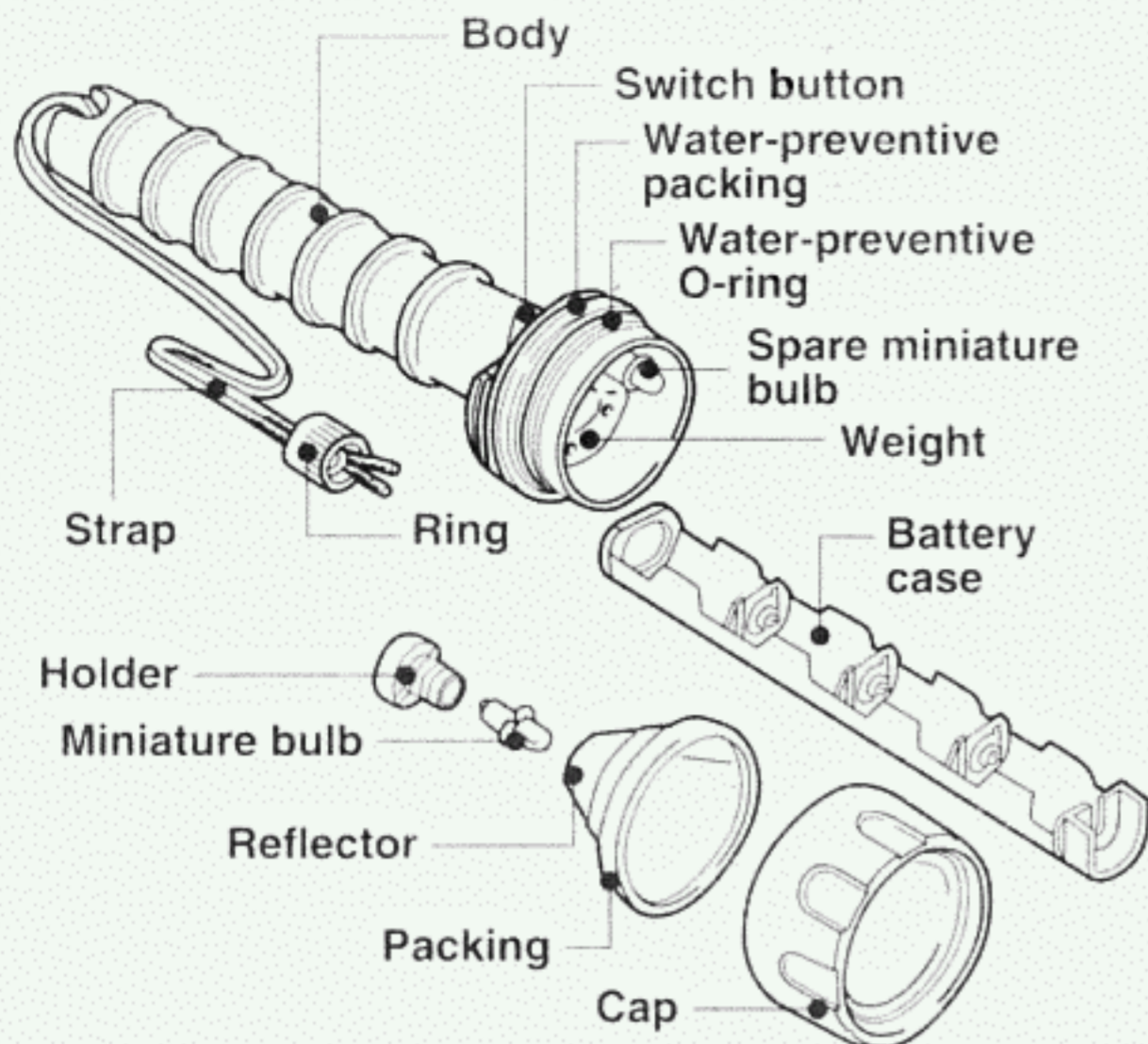
TOSHIBA UNDERWATER LIGHT**K-138**

- In order to gain the maximum from your underwater light, please take the time to read through this manual before use. Keep it for future reference.

SPECIFICATIONS

| | |
|-------------------------------------|--|
| Dry Batteries | TOSHIBA "SUPER HEAVY DUTY" (R20U, "D" size) batteries or the equivalent $\times 4$ |
| Miniature bulb | TOSHIBA halogen miniature bulb 4.8V 4W |
| Continuous operating time (at 20°C) | Approx. 4 hours (Using TOSHIBA "SUPER HEAVY DUTY" R20U batteries) |
| Water pressure resistance | 5kg/cm ² (Approx. 50m water depth) |
| Main Material | ABS resin |

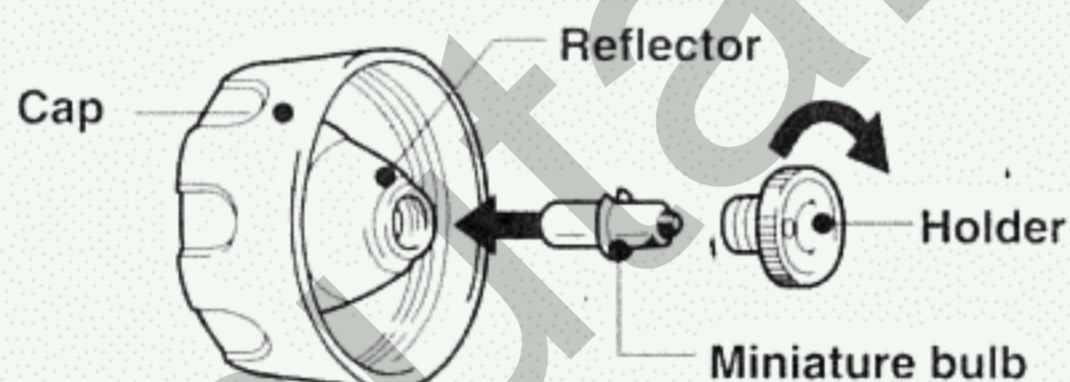
NAME OF THE PARTS



| | |
|-------------|----------------------------------|
| Accessories | Spare miniature bulb (4.8V 4W) 1 |
| | Strap 1 |

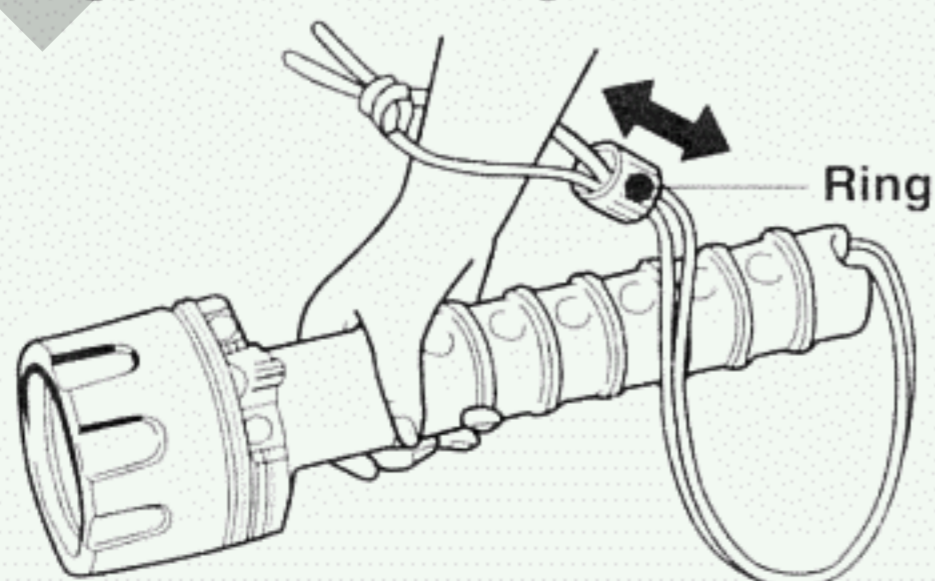
REPLACING THE MINIATURE BULB

- Rotate the cap counterclockwise to remove it.
- Rotate the holder in the "OPEN" direction, remove it from the reflector and then replace the old bulb with the spare.
- Replace the holder and tighten up the cap.
- When you need a further replacement bulb, ask the store where you bought the light for the TOSHIBA "4.8V 4W" halogen miniature bulb.



USING THE STRAP

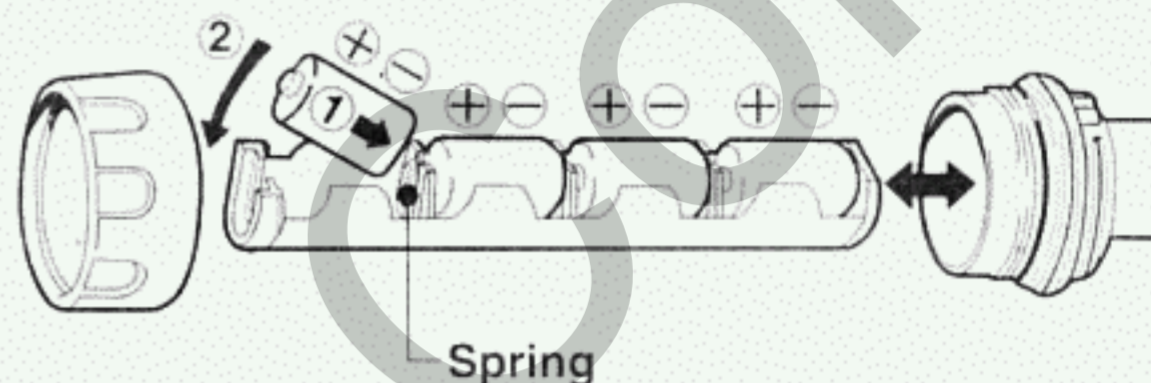
- When using the strap, tighten the strap by adjusting position of the ring as illustrated.



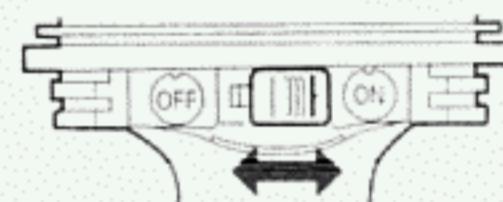
OPERATION

- Remove the cap by rotating it counterclockwise, load four R20P ("D" size) batteries into battery case, as shown in the figure, and then replace and tighten up the cap.

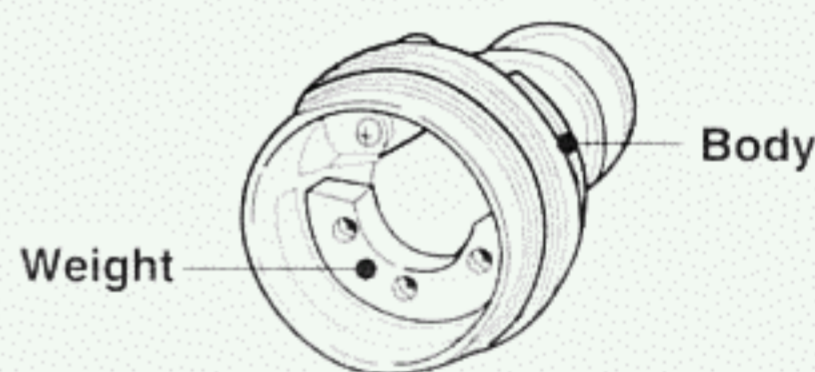
- Insert the batteries while pushing the (—) side spring.
- Batteries and the battery case must be installed correctly, otherwise the light will not turn on.



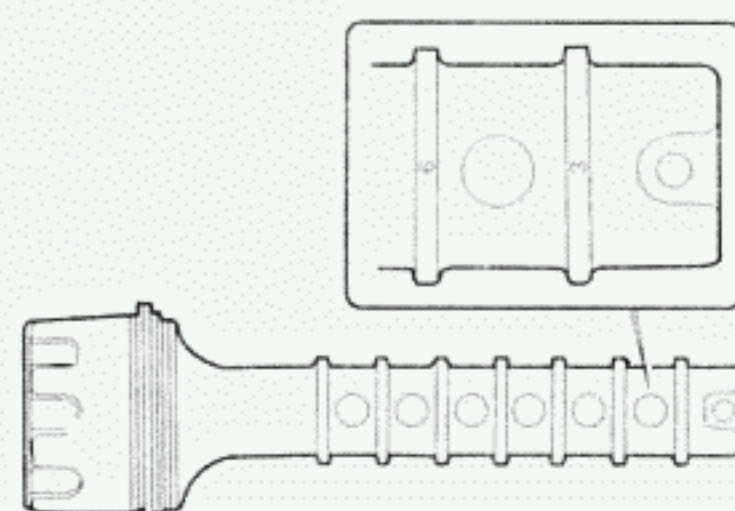
- The light turns on by sliding the switch button in the direction of "ON".



- A weight is provided to stop the light from being buoyant.



- Numbers are marked on the body. Use these as a guideline for dimension in the water.



CAUTION

- Please observe the following carefully, otherwise a considerable volume of gas may be generated in batteries, in some cases causing batteries, in some cases causing the appliance to explode with a loud noise.
 - (1) Batteries shall be inserted in the appliance with the (+) and (–) terminals correctly placed.
 - (2) Do not use new and old batteries or different types of batteries together.
 - (3) Be certain to turn off the switch after use.
 - (4) Take used-up batteries out of the appliances.
 - (5) Do not use rechargeable batteries.
- The water preventive O-ring shall be kept lubricated at all times with water preventive silicone grease.
- Only Toshiba SG-20 silicone grease for underwater lights is available on request, and shall be used for coating the water preventive O-ring.
- Please observe the following carefully, otherwise accidents may occur, caused by unexpected extinguishing of lights etc. due to water invasion.
 - (1) The water preventive O-ring shall not be contaminated with dust or scratched.
 - (2) Do not use the appliance in greater water depth than designated.
 - (3) Replace all batteries with new ones when using underwater.
 - (4) The halogen miniature bulb life is approx. 30 hours. Replace the miniature bulb with new one before its aggregate operating hours of 30 hours.
 - (5) Be certain to carry another spare light with you.
 - (6) Tighten the cap with body firmly. (Tighten until it will go no further.)
 - (7) Do not disassemble or remodel.
- Periodically inspect for lighting, water leakage or batteries leakage.
- Do not continually focus lights on the eye. This will result in eye trouble.

Following information is only for EU-member states:

The use of the symbol indicates that this product may not be treated as household waste. By ensuring this product is disposed of correctly, you will help prevent potential negative consequences for the environment and human health, which could otherwise be caused by inappropriate waste handling of this product. For more detailed information about recycling of this product, please contact your local city office, your household waste disposal service or the shop where you purchased the product.

